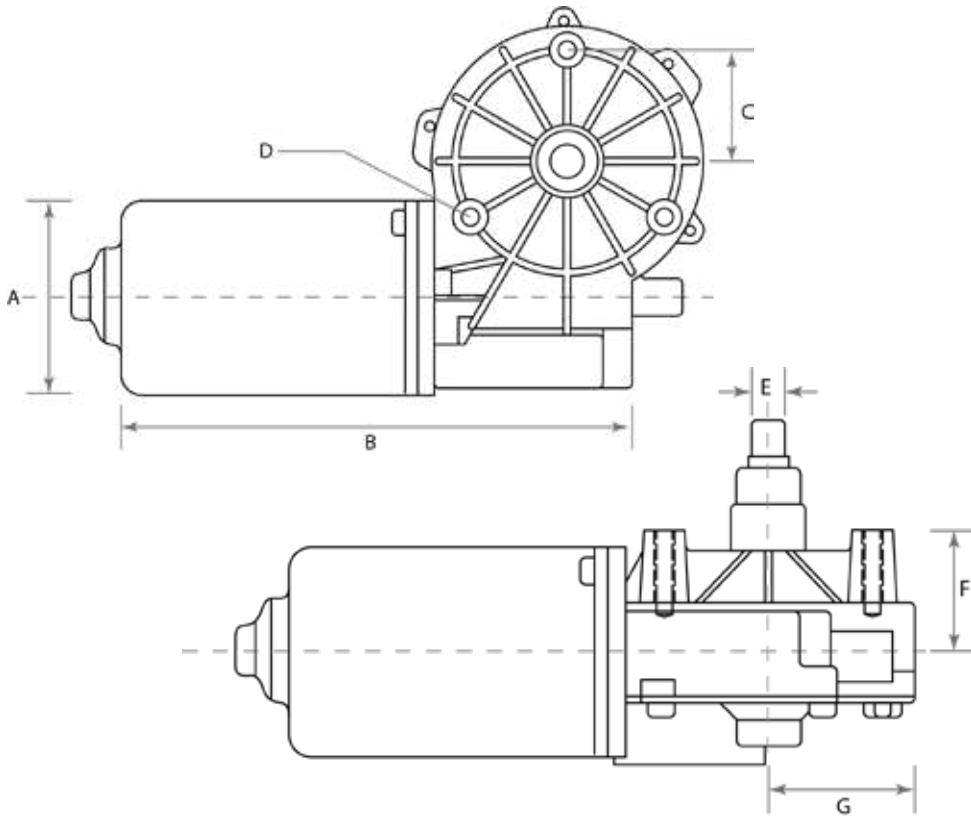


Wiper Motor Specification



Voltage	
A =	
B =	
C =	
D =	
E =	
F =	
G =	
ID No's	

Wiper Drive Crank Specification

A = CTRS of Pin	
B = HOLE DIA (Motor Shaft DIA or Taper)	
C = PIN DIA (State R for round H HEX)	
D = PIN LENGTH	
E = PEDAL TYPE ONLY	
F = BEARING TYPE IF REQUIRED	

