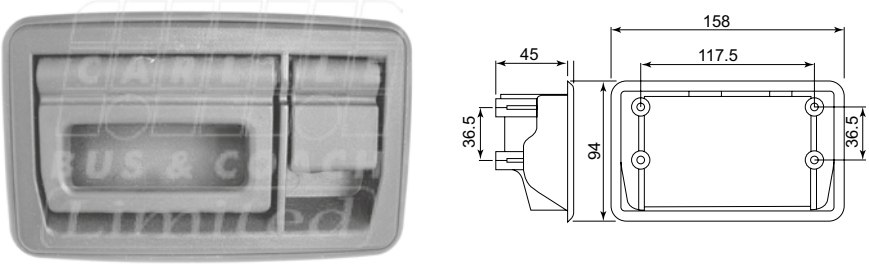
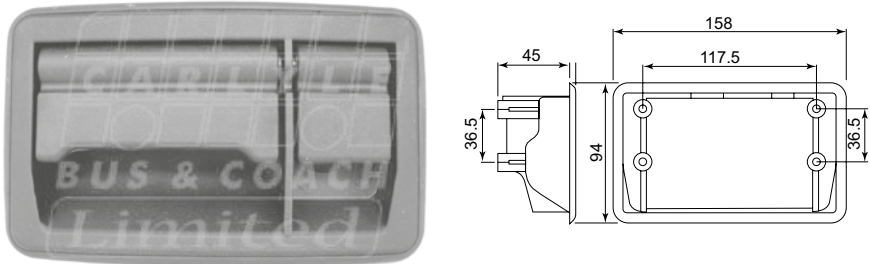



Part Number / Description	Part Image / Technical Drawing
<p>Locking Luggage Compartment Open Handle</p> <p><b>MHAN1.66</b> Manual Operation</p> <p><b>MHAN1.67</b> Pneumatic Operation</p> <p><i>Barrel &amp; Key sold seperate:</i> Key: <b>MHAN3.13</b> Barrel: <b>MHAN3.21</b></p>	
<p>Locking Luggage Compartment Closed Handle</p> <p><b>MHAN1.71</b> Manual Operation</p> <p><b>MHAN1.72</b> Pneumatic Operation</p> <p><b>MHAN1.73</b> Electrical Operation</p> <p><i>Barrel &amp; Key sold seperate:</i> Key: <b>MHAN3.13</b> Barrel: <b>MHAN3.21</b></p>	
<p><b>MHAN1.91</b></p> <p>Manual Locking Luggage Compartment Closed Handle</p> <p><i>Barrel &amp; Key sold seperate:</i> Key: <b>MHAN3.13</b> Barrel: <b>MHAN3.21</b></p>	

### Section 1.12