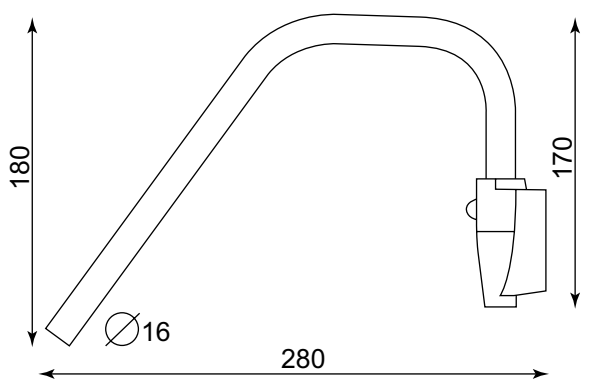
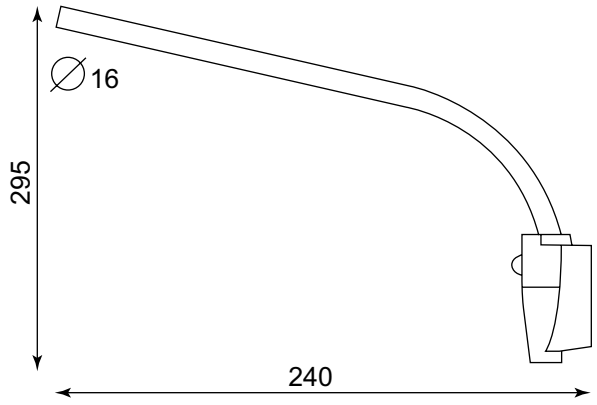


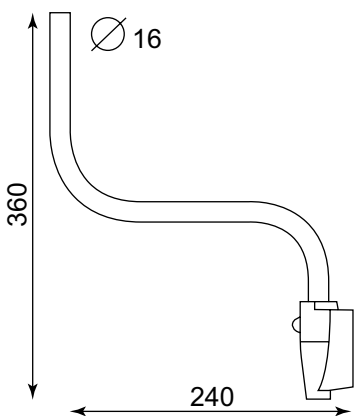
Mirror Arms



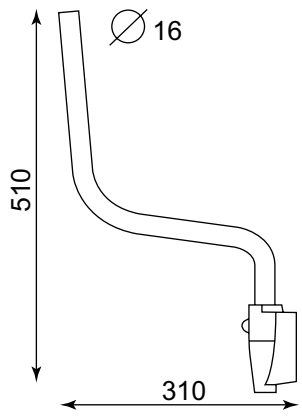
| KEY NUMBER | DESCRIPTION |
|------------|-----------------------------------|
| 1 | Mirror arm without wiring harness |
| | |
| | |
| | |



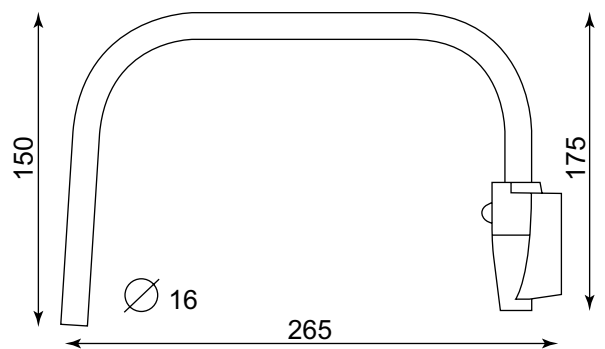
| KEY NUMBER | DESCRIPTION |
|------------|-----------------------------------|
| 2 | Mirror arm without wiring harness |
| | |
| | |
| | |



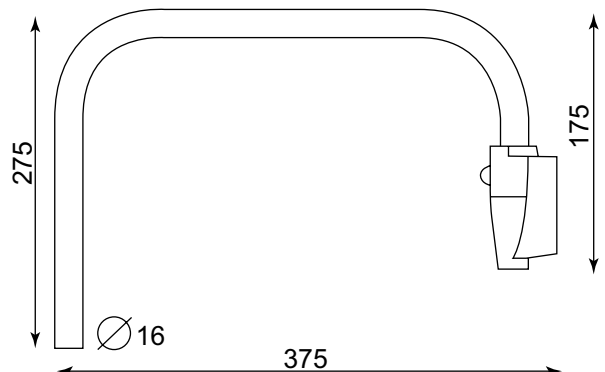
| KEY NUMBER | DESCRIPTION |
|------------|-----------------------------------|
| 3 | Mirror arm without wiring harness |
| | |
| | |
| | |



| KEY NUMBER | DESCRIPTION |
|------------|-----------------------------------|
| 4 | Mirror arm without wiring harness |
| | |
| | |
| | |



| KEY NUMBER | DESCRIPTION |
|------------|-----------------------------------|
| 5 | Mirror arm without wiring harness |
| | |
| | |
| | |



| KEY NUMBER | DESCRIPTION |
|------------|-----------------------------------|
| 6 | Mirror arm without wiring harness |
| | |
| | |
| | |

West Bromwich 0121 524 1200
 Bristol 0117 955 4955
 Glasgow 0141 429 2704
 London 01932 349 396
 Manchester 0161 457 9800
 Dublin 0035318991060