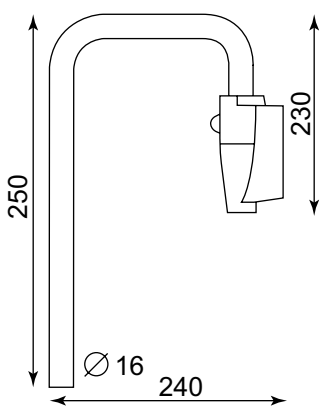
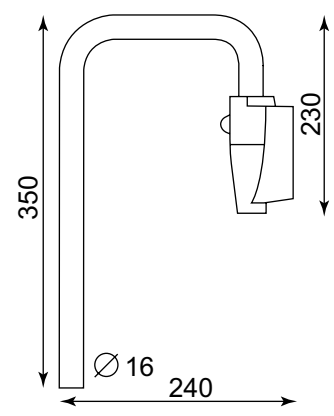


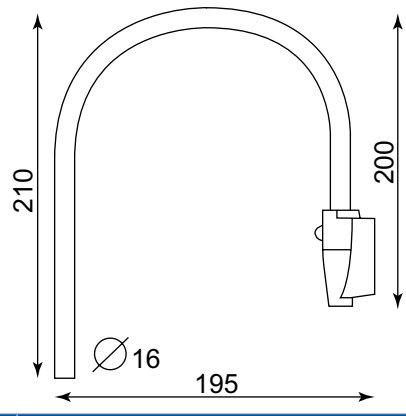
Mirror Arms



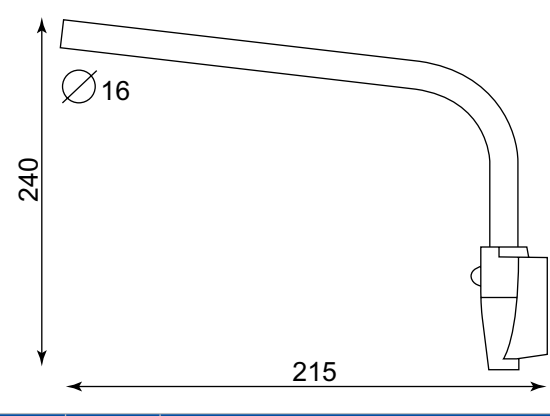
KEY NUMBER	DESCRIPTION
1	Mirror arm without wiring harness



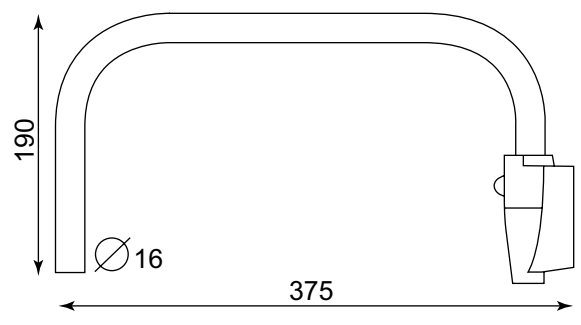
KEY NUMBER	DESCRIPTION
2	Mirror arm without wiring harness



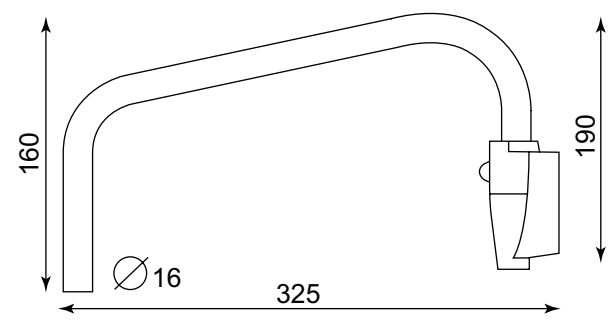
KEY NUMBER	DESCRIPTION
3	Mirror arm without wiring harness



KEY NUMBER	DESCRIPTION
4	Mirror arm without wiring harness



KEY NUMBER	DESCRIPTION
5	Mirror arm without wiring harness



KEY NUMBER	DESCRIPTION
6	Mirror arm without wiring harness

West Bromwich 0121 524 1200
 Bristol 0117 955 4955
 Glasgow 0141 429 2704
 London 01932 349 396
 Manchester 0161 457 9800
 Dublin 0035318991060