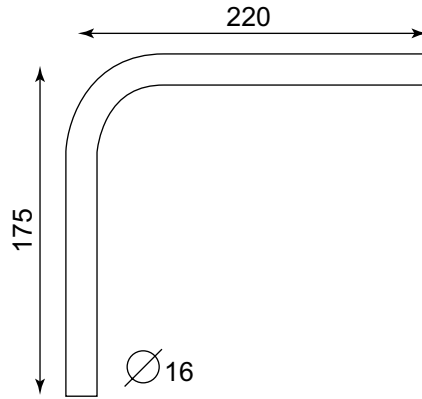
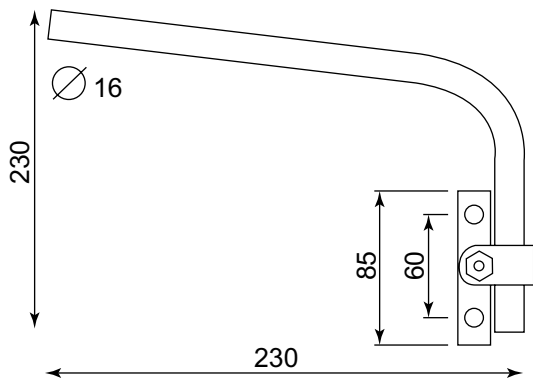
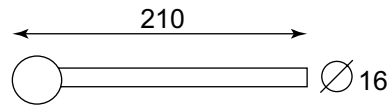
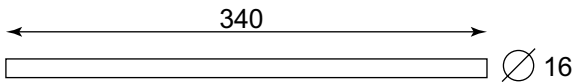


# Mirror Arms



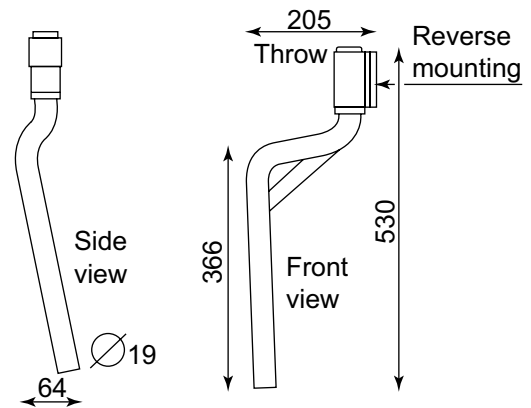
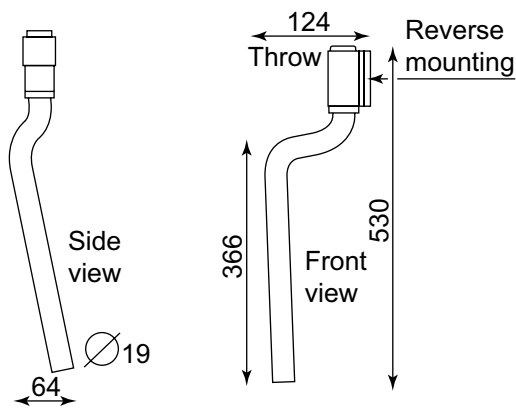
KEY NUMBER	DESCRIPTION
1	Mirror arm without wiring harness

KEY NUMBER	DESCRIPTION
2	Mirror arm



KEY NUMBER	DESCRIPTION
3	Mirror arm

KEY NUMBER	DESCRIPTION
4	Mirror arm



KEY NUMBER	DESCRIPTION
5	Mirror arm without wiring harness
6	Mounting bracket without wiring harness (3 hole)
7	Mounting bracket with wiring harness (3 hole)
8	Mounting bracket without wiring harness (4 hole)
9	Mounting bracket with wiring harness (4 hole)

KEY NUMBER	DESCRIPTION
10	Mirror arm without wiring harness
11	Mirror arm with wiring harness
12	Mounting bracket without wiring harness (3 hole)
13	Mounting bracket with wiring harness (3 hole)
14	Mounting bracket without wiring harness (4 hole)
15	Mounting bracket with wiring harness (4 hole)

**West Bromwich**  
0121 524 1200

**Bristol**  
0117 955 4955

**Glasgow**  
0141 429 2704

**London**  
01932 349 396

**Manchester**  
0161 457 9800

**Dublin**  
0035318991060