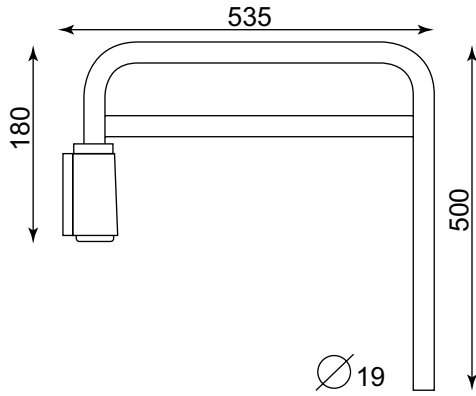
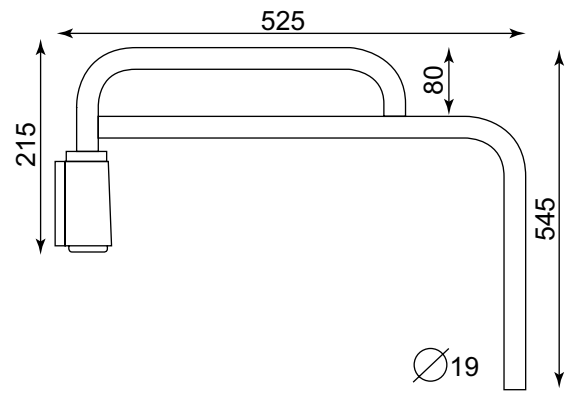


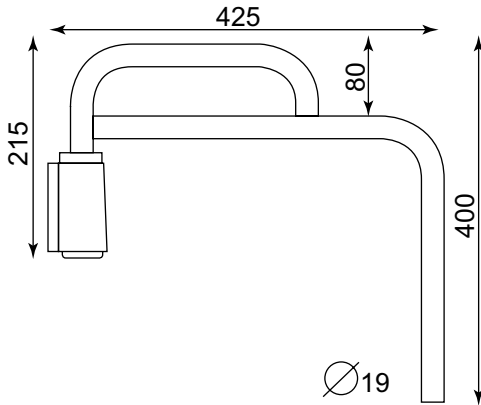
# Mirror Arms



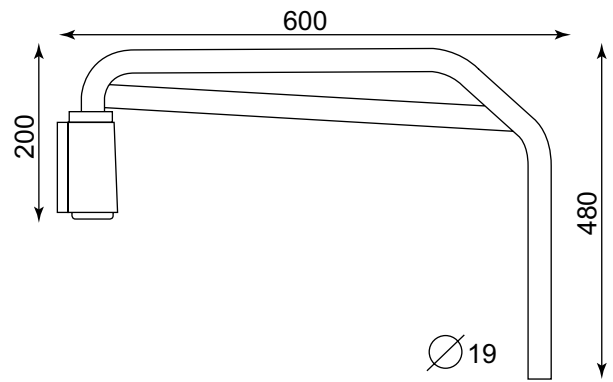
KEY NUMBER	DESCRIPTION
1	Mirror arm without wiring harness
2	Mounting bracket without wiring harness (3 hole)
3	Mounting bracket with wiring harness (3 hole)
4	Mounting bracket without wiring harness (4 hole)
5	Mounting bracket with wiring harness (4 hole)



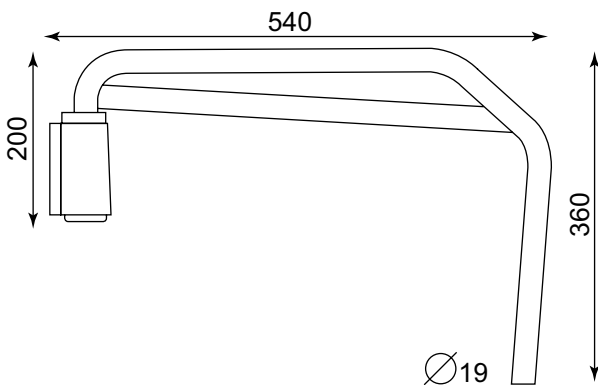
KEY NUMBER	DESCRIPTION
6	Mirror arm without wiring harness
7	Mirror arm with wiring harness
8	Mounting bracket without wiring harness (3 hole)
9	Mounting bracket with wiring harness (3 hole)
10	Mounting bracket without wiring harness (4 hole)
11	Mounting bracket with wiring harness (4 hole)



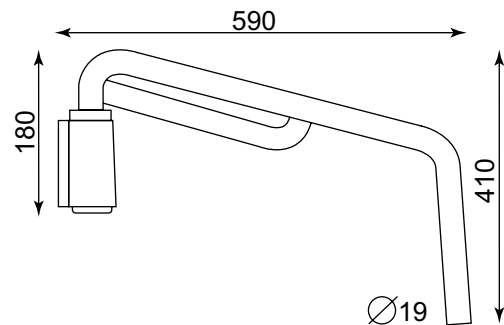
KEY NUMBER	DESCRIPTION
12	Mirror arm without wiring harness
13	Mirror arm with wiring harness
14	Mounting bracket without wiring harness (3 hole)
15	Mounting bracket with wiring harness (3 hole)
16	Mounting bracket without wiring harness (4 hole)
17	Mounting bracket with wiring harness (4 hole)



KEY NUMBER	DESCRIPTION
18	Mirror arm without wiring harness
19	Mirror arm with wiring harness
20	Mounting bracket without wiring harness (3 hole)
21	Mounting bracket with wiring harness (3 hole)
22	Mounting bracket without wiring harness (4 hole)
23	Mounting bracket with wiring harness (4 hole)



KEY NUMBER	DESCRIPTION
24	Mirror arm without wiring harness
25	Mirror arm with wiring harness
26	Mounting bracket without wiring harness (3 hole)
27	Mounting bracket with wiring harness (3 hole)
28	Mounting bracket without wiring harness (4 hole)
29	Mounting bracket with wiring harness (4 hole)



KEY NUMBER	DESCRIPTION
30	Mirror arm without wiring harness
31	Mirror arm with wiring harness
32	Mounting bracket without wiring harness (3 hole)
33	Mounting bracket with wiring harness (3 hole)
34	Mounting bracket without wiring harness (4 hole)
35	Mounting bracket with wiring harness (4 hole)

West Bromwich 0121 524 1200 Bristol 0117 955 4955 Glasgow 0141 429 2704

London 01932 349 396 Manchester 0161 457 9800 Dublin 0035318991060