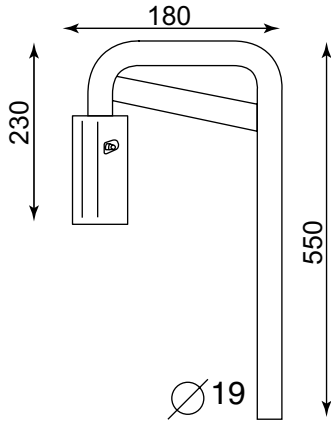
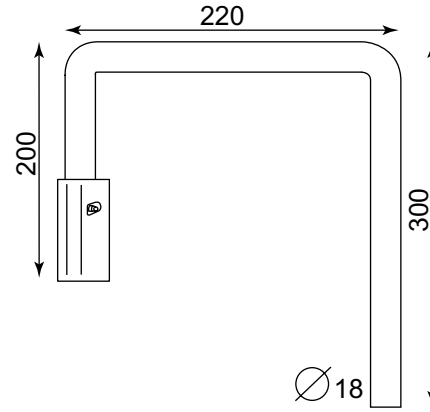


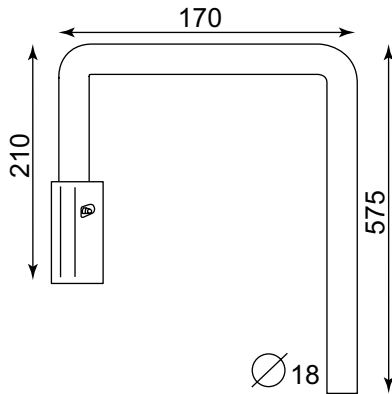
Mirror Arms



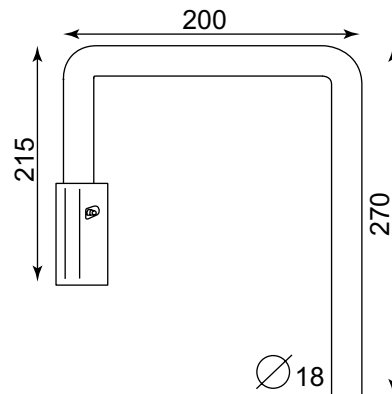
KEY NUMBER	DESCRIPTION
1	Mirror arm without wiring harness (multi position)
2	Mirror arm with wiring harness (multi position)
3	Mounting bracket without wiring harness
4	Mounting bracket with wiring harness



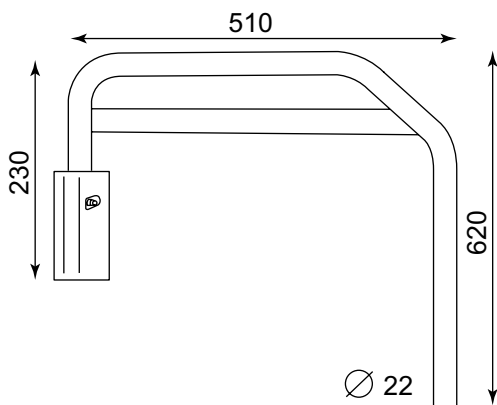
KEY NUMBER	DESCRIPTION
5	Mirror arm without wiring harness (multi position)
6	Mirror arm with wiring harness (multi position)
7	Mirror arm with wiring harness (Single position)
8	Mounting bracket without wiring harness
	Mounting bracket with wiring harness



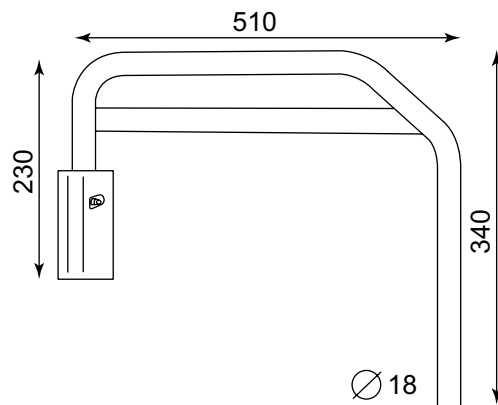
KEY NUMBER	DESCRIPTION
10	Mirror arm without wiring harness (multi position)
11	Mirror arm with wiring harness (multi position)
12	Mounting bracket without wiring harness
13	Mounting bracket with wiring harness



KEY NUMBER	DESCRIPTION
15	Mirror arm without wiring harness (multi position)
16	Mirror arm with wiring harness (multi position)
17	Mounting bracket without wiring harness
18	Mounting bracket with wiring harness



KEY NUMBER	DESCRIPTION
19	Mirror arm without wiring harness (multi position)
20	Mirror arm with wiring harness (multi position)
21	Mounting bracket without wiring harness
22	Mounting bracket with wiring harness



KEY NUMBER	DESCRIPTION
23	Mirror arm without wiring harness (multi position)
24	Mirror arm with wiring harness (multi position)
25	Mirror arm with wiring harness (Single position)
26	Mounting bracket without wiring harness
27	Mounting bracket with wiring harness

West Bromwich
0121 524 1200

Bristol
0117 955 4955

Glasgow
0141 429 2704

London
01932 349 396

Manchester
0161 457 9800

Dublin
0035318991060