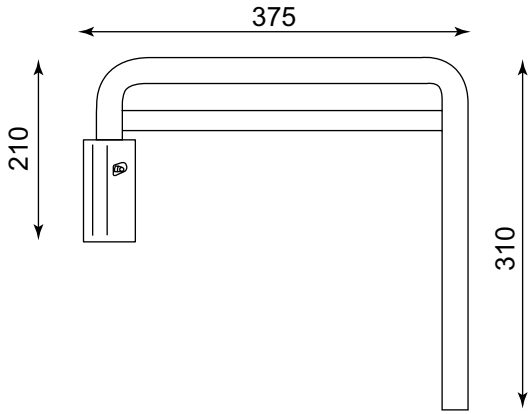
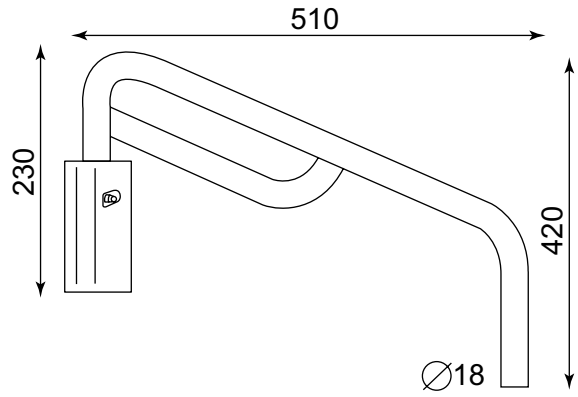


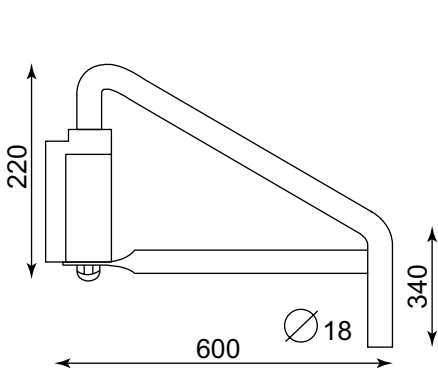
# Mirror Arms



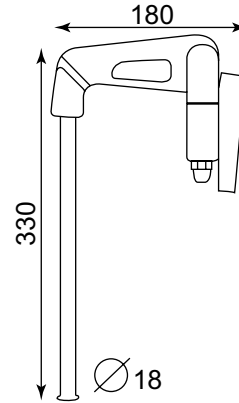
KEY NUMBER	DESCRIPTION
1	Mirror arm without wiring harness (multi position)
2	Mounting bracket without wiring harness
3	Mounting bracket with wiring harness



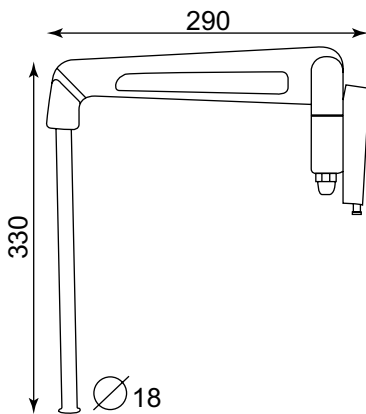
KEY NUMBER	DESCRIPTION
4	Mirror arm without wiring harness (multi position)
5	Mirror arm with wiring harness (multi position)
6	Mounting bracket without wiring harness
7	Mounting bracket with wiring harness



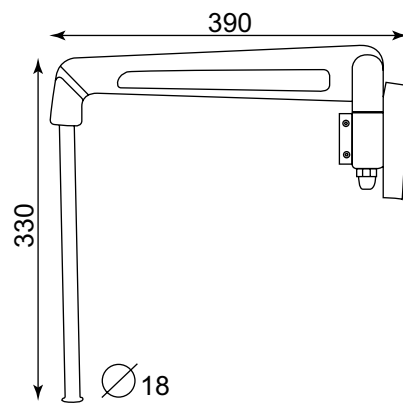
KEY NUMBER	DESCRIPTION
8	Mirror arm without wiring harness (multi position)
9	Mirror arm with wiring harness (multi position)
10	Mounting bracket without wiring harness
11	Mounting bracket with wiring harness



KEY NUMBER	DESCRIPTION
11	Mirror arm without wiring harness
12	Mirror arm with wiring harness



KEY NUMBER	DESCRIPTION
13	Mirror arm without wiring harness
14	Mirror arm with wiring harness



KEY NUMBER	DESCRIPTION
15	Mirror arm without wiring harness
16	Mirror arm with wiring harness

**West Bromwich**  
0121 524 1200

**Bristol**  
0117 955 4955

**Glasgow**  
0141 429 2704

**London**  
01932 349 396

**Manchester**  
0161 457 9800

**Dublin**  
0035318991060