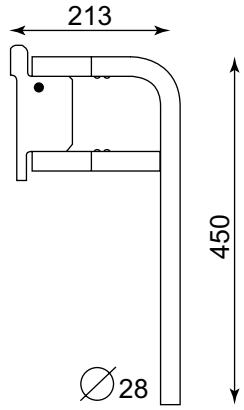
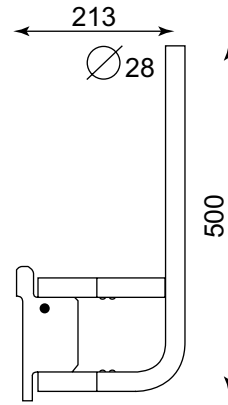


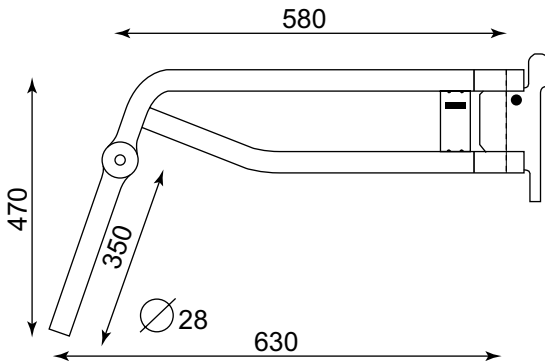
Mirror Arms



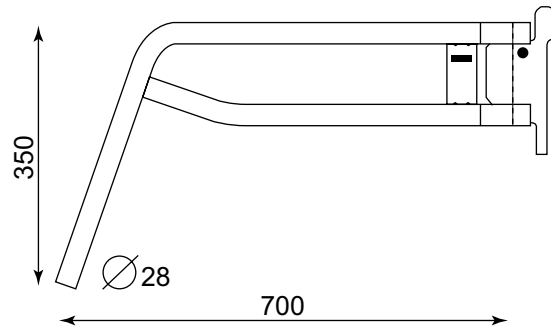
KEY NUMBER	DESCRIPTION
1	Mirror arm without wiring harness
2	Mirror arm with wiring harness (heated)
3	Mirror arm with wiring harness (heated/electric)



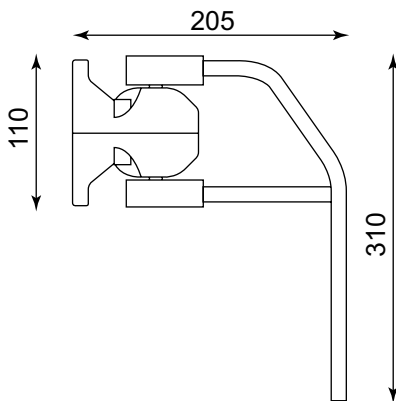
KEY NUMBER	DESCRIPTION
4	Mirror arm without wiring harness
5	Mirror arm with wiring harness (heated)
6	Mirror arm with wiring harness (heated/electric)



KEY NUMBER	PART NUMBER	DESCRIPTION
7	42.577	Mirror arm without wiring harness
8	42.578	Mirror arm with wiring harness (heated)
9	42.579	Mirror arm with wiring harness (heated/electric)



KEY NUMBER	PART NUMBER	DESCRIPTION
10	42.583	Mirror arm without wiring harness
11	42.584	Mirror arm with wiring harness (heated)
12	42.585	Mirror arm with wiring harness (heated/electric)



KEY NUMBER	PART NUMBER	DESCRIPTION
13	42.100	Mirror arm without wiring harness

West Bromwich
0121 524 1200

Bristol
0117 955 4955

Glasgow
0141 429 2704

London
01932 349 396

Manchester
0161 457 9800

Dublin
0035318991060