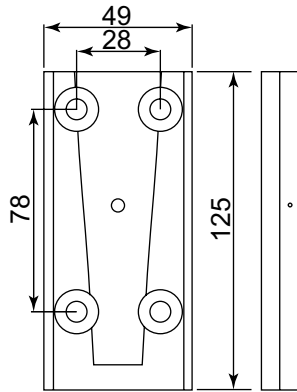
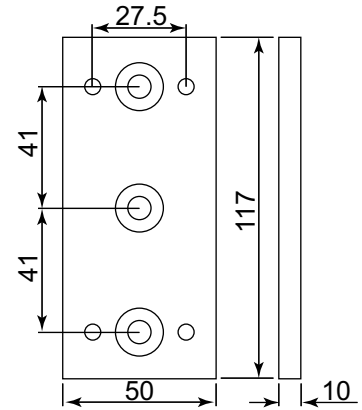


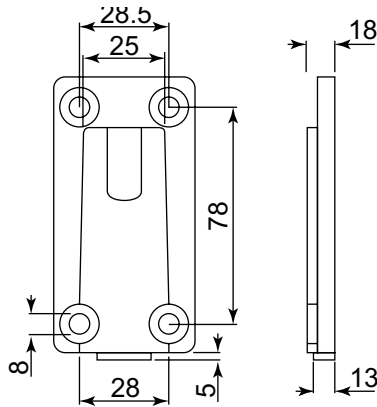
Mirror Accessories



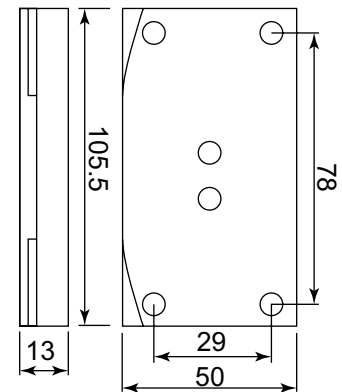
KEY NUMBER	DESCRIPTION
1	Mounting bracket without wiring harness (4 hole)
2	Mounting bracket with wiring harness (4 hole) 2 pin



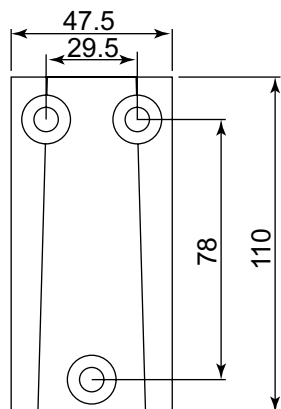
KEY NUMBER	DESCRIPTION
3	Adaptor bracket (converts 3 hole brackets to 4 hole)



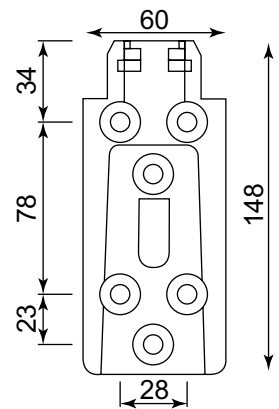
KEY NUMBER	DESCRIPTION
4	Mounting bracket without wiring harness
5	Mounting bracket with wiring harness 2 pin



KEY NUMBER	DESCRIPTION
6	Mirror bracket spacer



KEY NUMBER	DESCRIPTION
7	Mounting bracket without wiring harness



KEY NUMBER	DESCRIPTION
8	Mounting bracket without wiring harness
9	Mounting bracket with wiring harness (2mtr)
10	Mounting bracket with wiring harness (5mtr)
11	Mounting bracket with wiring harness/elec adjust (2mtr)
12	Mounting bracket with wiring harness/elec adjust (5mtr)

West Bromwich
0121 524 1200

Bristol
0117 955 4955

Glasgow
0141 429 2704

London
01932 349 396

Manchester
0161 457 9800

Dublin
0035318991060