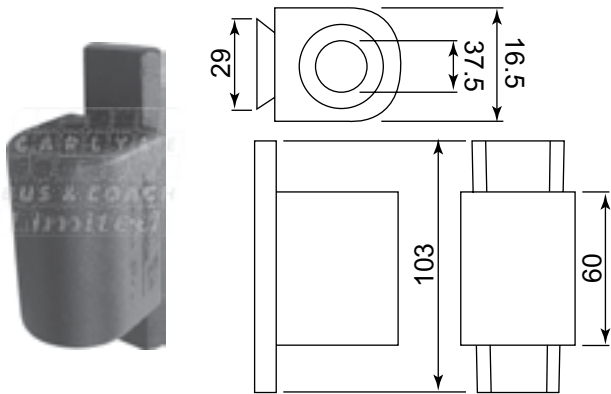
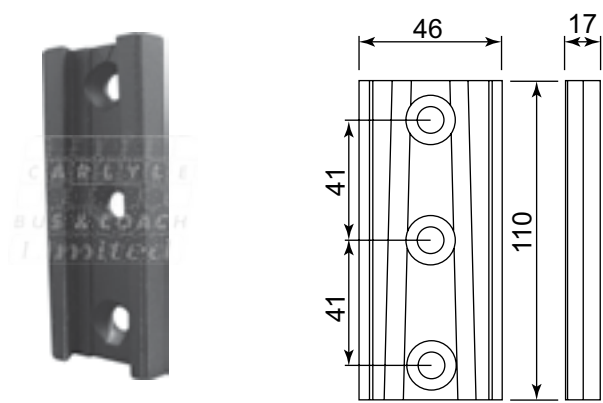


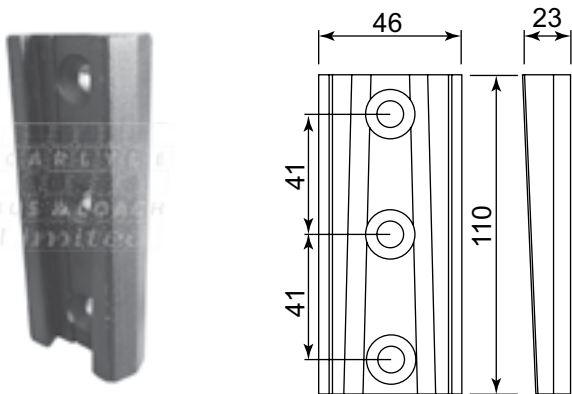
Mirror Accessories



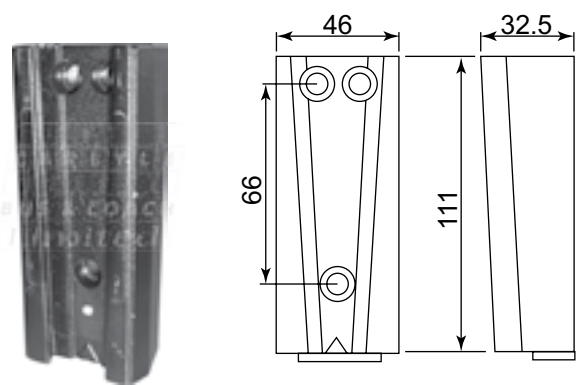
KEY NUMBER	DESCRIPTION
1	Mirror arm base
2	



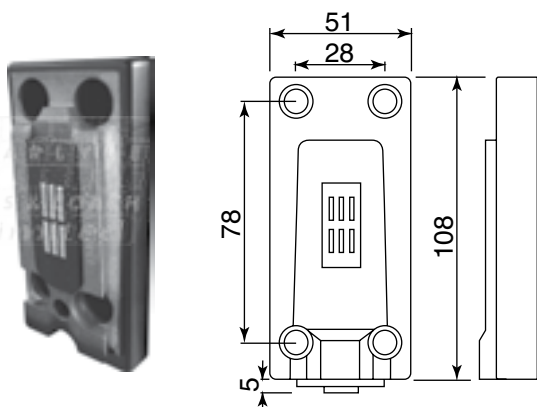
KEY NUMBER	DESCRIPTION
3	Mounting bracket without wiring harness



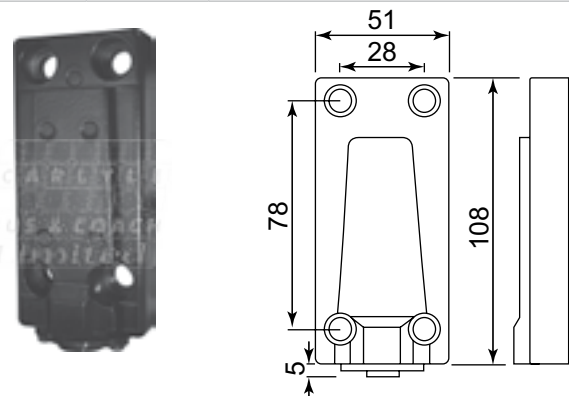
KEY NUMBER	DESCRIPTION
4	Mounting bracket without wiring harness



KEY NUMBER	DESCRIPTION
5	Mounting bracket with wiring harness



KEY NUMBER	DESCRIPTION
6	Mounting bracket with wiring harness 0.5mtr
7	Mounting bracket with wiring harness 2.5mtr



KEY NUMBER	DESCRIPTION
8	Mounting bracket with wiring harness 6 pin 2.0mtr
9	Mounting bracket with wiring harness 6 pin 2.5mtr
10	Mounting bracket with wiring harness 6 pin 5.0mtr
11	Mounting bracket with wiring harness 2 pin 2.5mtr

West Bromwich
0121 524 1200

Bristol
0117 955 4955

Glasgow
0141 429 2704

London
01932 349 396

Manchester
0161 457 9800

Dublin
0035318991060